

Technical data sheet

FangFix reducing sleeve

Item number: 5408101



Reduces the drill hole of the FangFix block from Ø 20 mm to Ø 16 mm. Suitable for the installation of GFK insulating rods of Ø 16 mm.



PA Polyamide

Master data

Item number	5408101
Type	101 RH-16
Description 1	Reducing sleeve
Description 2	for FangFix system
Manufacturer	OBO
Dimension	16mm
Colour	Black
Material	Polyamide
Smallest sales unit	25
Unit of quantity	Units
Weight	0,187 kg
Weight unit	kg/100 pairs
CO2 Footprint (GWP) Cradle-to-Gate	0,0125 kg CO2e / 1 Piece

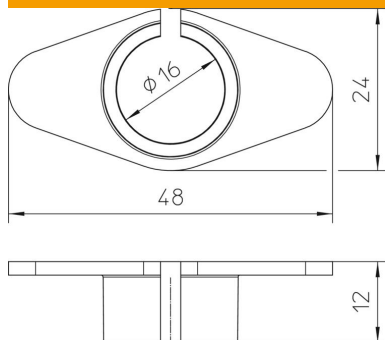
Technical data sheet

FangFix reducing sleeve

Item number: 5408101



Dimensions



Length	48 mm
Width	24 mm
Height	12 mm
Dimension B	24 mm
Dimension H	12 mm
Dimension L	48 mm

Technical specifications

Fit	16 mm
-----	-------