


# Technical data sheet

## Spacer

Item number: 5408043



For stand-off installation of the isCon® cable in the area of the connection. Incl. reducing sleeve for mounting on FangFix concrete block 10 Kg.

 Fibre-glass-reinforced plastic

### Master data

Item number	5408043
Type	isCon DH
Description 1	Spacer
Description 2	for FangFix system
Manufacturer	OBO
Dimension	1000mm
Colour	Light grey
Material	Fibreglass-reinforced plastic
Smallest sales unit	2
Unit of quantity	Units
Weight	41,4 kg
Weight unit	kg/100 pairs
CO2 Footprint (GWP) Cradle-to-Gate	4,0773 kg CO2e / 1 Piece

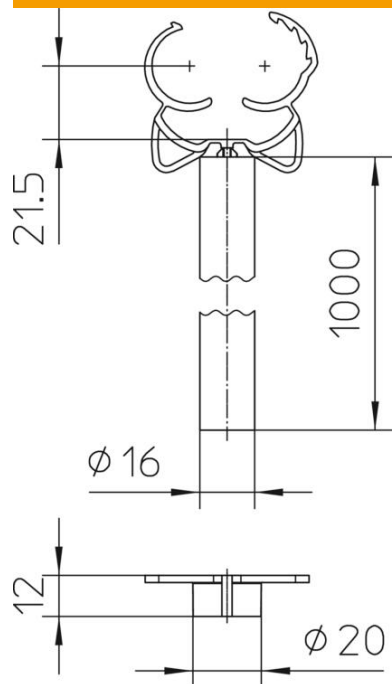
# Technical data sheet

## Spacer

Item number: 5408043



### Dimensions



Length	1 000 mm
--------	----------

### Technical specifications

Clamping range D, max.	26 mm
Clamping range D, min.	23 mm