

Technical data sheet

Earthing strap, type 950

Item number: 5050138



- For pipes \varnothing 1/4"-2"
 - Connection options: conductors to 35 mm² or round conductors to \varnothing 6 mm
 - With captive pressure strip, 2 cylinder screws M6 x 16 and 1 hex-head screw M6 x 16
- from galvanised steel, top and bottom part of clip from die-cast zinc

- Zn** Die-cast zinc
- G** Electrogalvanized

Master data

| | |
|------------------------------------|----------------------------|
| Item number | 5050138 |
| Type | 950 Z 1 1/4 |
| Description 1 | Earthing clamp |
| Description 2 | for round cable |
| Manufacturer | OBO |
| Dimension | 1 1/4" |
| Material | Die-cast zinc |
| Surface | Electrogalvanized |
| Surface standard | EN ISO 19598 / EN ISO 4042 |
| Smallest sales unit | 10 |
| Unit of quantity | Units |
| Weight | 10,03 kg |
| Weight unit | kg/100 pairs |
| CO2 Footprint (GWP) Cradle-to-Gate | 0,3984 kg CO2e / 1 Piece |

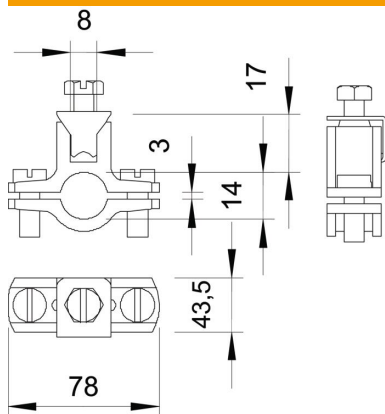
Technical data sheet

Earthing strap, type 950

Item number: 5050138



Dimensions



| | |
|-------------|---------|
| Dimension A | 78 mm |
| Dimension D | 43,5 mm |
| Dimension X | 3 mm |

Technical specifications

| | |
|--|--------------------|
| Number of conductors | 1 |
| Cross-section of cable to be connected, max. | 35 mm ² |
| Cross-section of cable to be connected, min. | 0 mm ² |
| Clamping range D | 1 1/4 |
| Clamping range D, max. | 43,5 mm |
| Clamping range D, min. | 40,5 mm |