

Technical data sheet

Nail-Fix, without nail

Item number: 2222809



Without nails for refitting \varnothing 3 mm and 3.5 mm steel nails to fix cables in masonry slots and on masonry for one or two cables NYM 3 x 1.5/2.5 mm² or one or two cables NYM 5 x 1.5/2.5 mm².



PP Polypropylene

Master data

Item number	2222809
Type	1996 O
Description 1	Nagel-Fix
Description 2	No nail
Manufacturer	OBO
Dimension	34x25mm
Colour	Transparent
Material	Polypropylene
Smallest sales unit	100
Unit of quantity	Units
Weight	0,053 kg
Weight unit	kg/100 pairs
CO2 Footprint (GWP) Cradle-to-Gate	0,0029 kg CO2e / 1 Piece

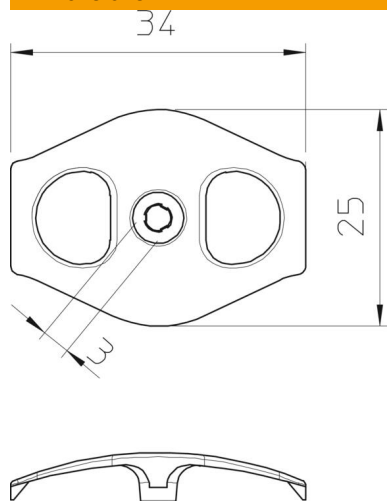
Technical data sheet

Nail-Fix, without nail

Item number: 2222809



Dimensions



Technical specifications

Double clip	yes
Shape	Rectangular (for flat conductor)
For nail diameter	3,0 - 3,5
Hardened	no
Halogen-free	yes
With nail	no
Nail diameter	3 mm
Impact-resistant	no