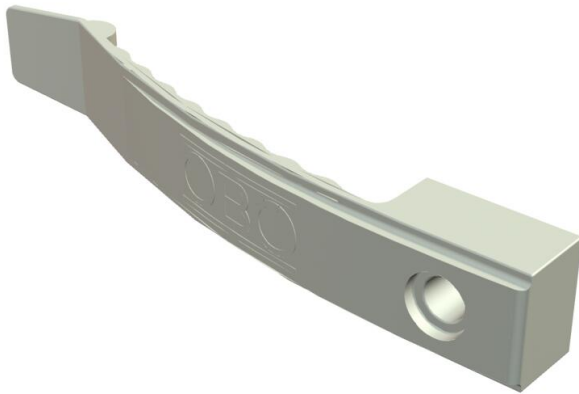


# Technical data sheet

## Pressure clip for 8 cables

Item number: 2205017



Standard version for general use, e.g. on intermediate ceilings and partition walls.

Clamping height 9 mm – with spacer 13 mm.

Fastening hole: 6 mm Ø.

2032 for max. 8 conductors NYM 3 x 1.5 mm<sup>2</sup>

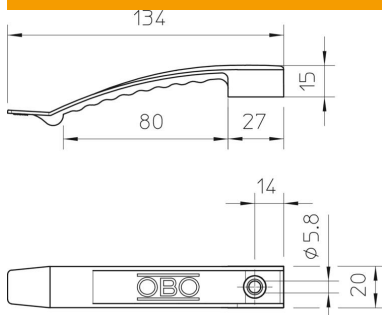


PA Polyamide

### Master data

Item number	2205017
Type	2032
Description 1	Pressure clip
Manufacturer	OBO
Dimension	1x8 NYM3x1,5
Colour	Light grey; RAL 7035
Material	Polyamide
Smallest sales unit	50
Unit of quantity	Units
Weight	1,371 kg
Weight unit	kg/100 pairs
CO Footprint (GWP) Cradle-to-Gate	0,0597 kg COe / 1 Piece

### Dimensions



# Technical data sheet

Pressure clip for 8 cables

Item number: 2205017



## Technical specifications

No. of conductors NYM 3 x 1.5	8
Flame-resistant version	no
Maintain electrical functions	no
Halogen-free	yes
With anchor	no