

Technical data sheet

Base clamp clip, single

Item number: 2140357



Can be screwed onto M6 thread.



PP Polypropylene

Master data

Item number	2140357
Type	2962 35 LGR
Description 1	Base clamp
Manufacturer	OBO
Dimension	32-35mm
Colour	Light grey; RAL 7035
Material	Polypropylene
Smallest sales unit	25
Unit of quantity	Units
Weight	1,295 kg
Weight unit	kg/100 pairs
CO2 Footprint (GWP) Cradle-to-Gate	0,0568 kg CO2e / 1 Piece

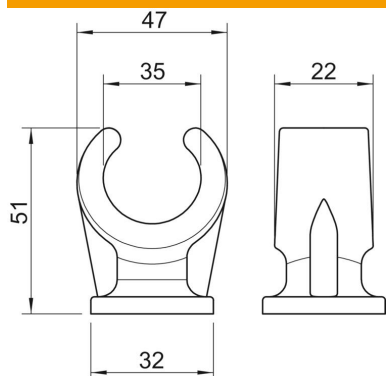
Technical data sheet

Base clamp clip, single

Item number: 2140357



Dimensions



Dimension A	47 mm
Dimension B	22 mm
Dimension C	32 mm
Dimension H	51 mm

Technical specifications

Number of cables/pipes	1
Version for	Single-lobe
Fastening type	Threaded connection
Suitable in fire protection area	no
Size	32-35
Halogen-free	yes
Plastic-covered	no
Nominal diameter	31,4 mm
Clamping range D, max.	35 mm
Clamping range D, min.	32 mm
UV-resistant	no