

# Technical data sheet

## Adapter expansion PG - M

Item number: 2088295



Adapter for converting a Pg threaded drill hole to a larger metric threaded drill hole.



CE M Pg

**CuZn**  
37 Brass

**N** Nickel-plated

### Master data

Item number	2088295
Type	165 ADA PG16-M25
Description 1	Adapter
Description 2	PG - M
Manufacturer	OBO
Dimension	PG16-M25
Material	Brass
Surface	Nickel-plated
Surface standard	
Smallest sales unit	20
Unit of quantity	Units
Weight	3,32 kg
Weight unit	kg/100 pairs
CO2 Footprint (GWP) Cradle-to-Gate	0,087 kg CO2e / 1 Piece

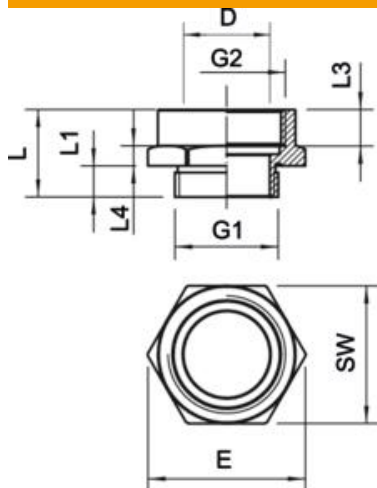
# Technical data sheet

## Adapter expansion PG - M

Item number: 2088295



### Dimensions



Dimension D	18,5 mm
Dimension E	33,5 mm
Dimension L	18,5 mm
Dimension L1	6,6 mm
Dimension L3	9,5 mm
Dimension L4	4,3 mm

### Technical specifications

explosion-proof	no
Thread type: External thread	Pg
Thread type: Internal thread	Metric
Thread dimension, metric, internal	25
Thread dimension, PG, external	16
WAF	30
Nickel-plated	yes