

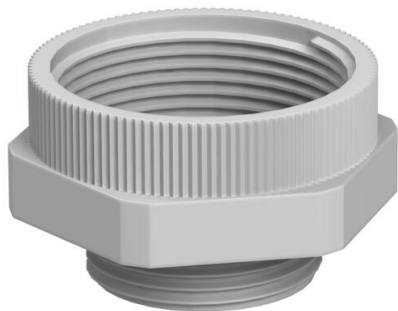
# Technical data sheet

## Adapter PG-M

Item number: 2031470



Adapter for converting a Pg threaded drill hole to a metric threaded drill hole.



PA Polyamide

### Master data

Item number	2031470
Type	107 ADA PG21-M25
Description 1	Adapter
Description 2	PG - M
Manufacturer	OBO
Dimension	PG21-M25
Colour	Light grey; RAL 7035
Material	Polyamide
Smallest sales unit	10
Unit of quantity	Units
Weight	0,94 kg
Weight unit	kg/100 pairs
CO2 Footprint (GWP) Cradle-to-Gate	0,0498 kg CO2e / 1 Piece

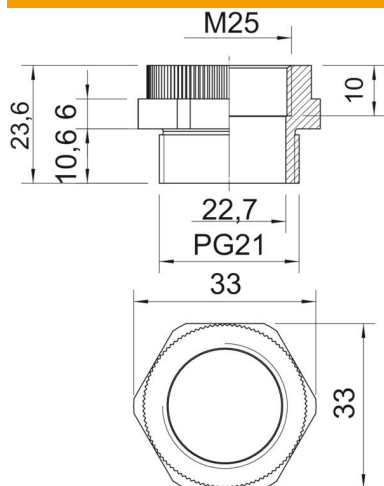
# Technical data sheet

## Adapter PG-M

Item number: 2031470



### Dimensions



Dimension D	22,7 mm
Dimension E	33 mm
Dimension L	23,6 mm
Dimension L1	10,9 mm
Dimension L2	6 mm
Dimension L3	10 mm

### Technical specifications

explosion-proof	no
Thread type: External thread	Pg
Thread type: Internal thread	Metric
Thread dimension, metric, internal	25
Thread dimension, PG, external	21
WAF	33
Nickel-plated	no