

Technical data sheet

Adapter PG-M

Item number: 2031468



Adapter for converting a Pg threaded drill hole to a metric threaded drill hole.



PA Polyamide

Master data

Item number	2031468
Type	107 ADA PG13-M20
Description 1	Adapter
Description 2	PG - M
Manufacturer	OBO
Dimension	PG13,5-M20
Colour	Light grey; RAL 7035
Material	Polyamide
Smallest sales unit	20
Unit of quantity	Units
Weight	0,416 kg
Weight unit	kg/100 pairs
CO2 Footprint (GWP) Cradle-to-Gate	0,0229 kg CO2e / 1 Piece

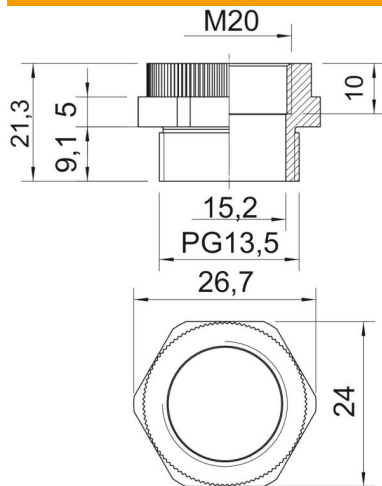
Technical data sheet

Adapter PG-M

Item number: 2031468



Dimensions



Dimension D	15,2 mm
Dimension E	26,7 mm
Dimension L	21,3 mm
Dimension L1	9,1 mm
Dimension L2	5 mm
Dimension L3	10 mm

Technical specifications

explosion-proof	no
Thread type: External thread	Pg
Thread type: Internal thread	Metric
Thread dimension, metric, internal	20
Thread dimension, PG, external	13,5
WAF	24
Nickel-plated	no