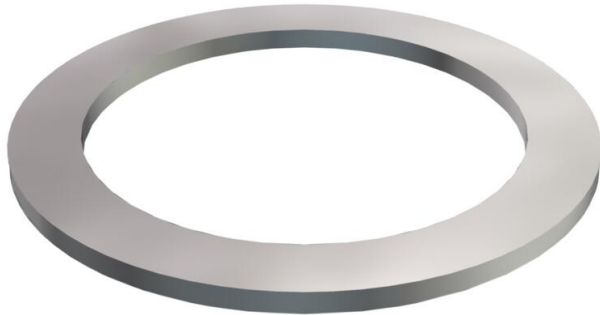


Technical data sheet

Pressure ring, PG thread

Item number: 2027216



Pressure ring, Part 7, to DIN 46320, suitable for plastic and brass glands to DIN 46320.

Pg

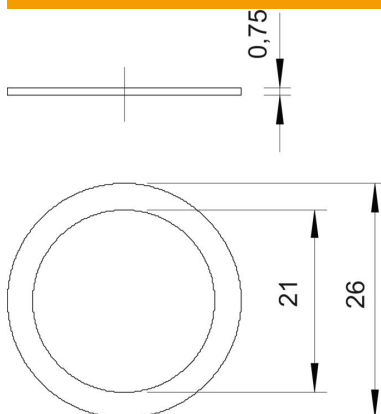
St Steel

GTP Electrogalvanized, transparently passivated

Master data

Item number	2027216
Type	107 D PG21 GTP
Description 1	Pressure ring
Manufacturer	OBO
Dimension	PG21
Material	Steel
Surface	Electrogalvanized, transparently passivated
Surface standard	
Smallest sales unit	50
Unit of quantity	Units
Weight	0,097 kg
Weight unit	kg/100 pairs
CO2 Footprint (GWP) Cradle-to-Gate	0,0078 kg CO2e / 1 Piece

Dimensions



Dimension D1	26 mm
Dimension D2	21 mm

Technical data sheet

Pressure ring, PG thread

Item number: 2027216



Technical specifications

Version for	Miscellaneous
Screw for PG thread dimension	21
Inner diameter	21 mm