

Technical data sheet

Ion Charging station Key

Item number: 6570022



The Ion charging station for the charging of electrical vehicles in private areas as a singular charging point. Suitable for permanent mounting on the wall in interior or protected exterior areas.

- Charging according to Mode 3 in accordance with IEC 61851-1
- Single, double and three-phase charging
- Suitable for TN and TT networks
- Integrated temperature monitoring
- DC error current monitoring
- Status information via LED display
- Prewired, ready for connection
- Including 5 m charging cable with type 2 charging connector and cable bracket
- Supply from above or below
- Stainless steel design elements
- Charging power can be limited to a fixed value, factory-set value 11 kW
- Modbus RTU protocol via RS-485 interface for bidirectional communication
- Can be controlled via Modbus RTU for dynamic load management, dynamic PV-optimised charging and digital authentication (via web/app) with external control (ASKI, Smart1Solutions, Loxone, Comexio)
- Potential-free enable contact, e.g. for PV systems, ripple control receiver
- With key switch for authorisation



PC Polycarbonate

L Painted

Master data

Item number	6570022
Type	WB AC BL KS
Description 1	Charging station
Description 2	Key
Manufacturer	OBO
Dimension	330x300x127
Colour	Black
Material	Polycarbonate
Surface	Painted
Surface standard	
Smallest sales unit	1
Unit of quantity	Piece
Weight	613.2 kg
Weight unit	kg/100 pc.

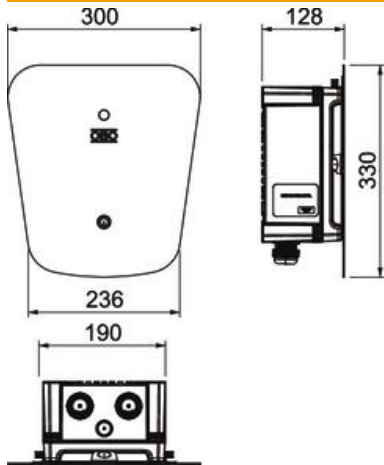
Technical data sheet

Ion Charging station Key

Item number: 6570022



Dimensions



Width	300 mm
Height	330 mm

Technical data sheet

Ion Charging station Key

Item number: 6570022



Technical data

Number of SCHUKO sockets	0
Protection rating	IP66
Protection rating IK code	IK08
Depth	127 mm
Surge protection	no
Version for	3-phase
Number of charging points	1
Max. Output per charging point	22 kW
Nominal connection output	22 kW
Mounting type	Wall mounting
Number of type 1 charging connectors	0
Number of type 1 CCS charging connectors	0
Number of type 2 charging connectors	1
Number of type 2 CCS charging connectors	0
Number of type 2 charging sockets	0
Number of GB AC charging connectors	0
Number of GB DC charging connectors	0
Number of GB charging sockets	0
Number of type 3 charging sockets	0
Number of CHAdeMO charging connectors	0
Number of CEE sockets	0
With domestic junction box (HAK)	no
Number of type A Fi switches	0
Number of type B Fi switches	0
With circuit breaker	no
With communication interface	yes
With energy meter	no
Access control function	yes
With load management	no
IFTTT support	no