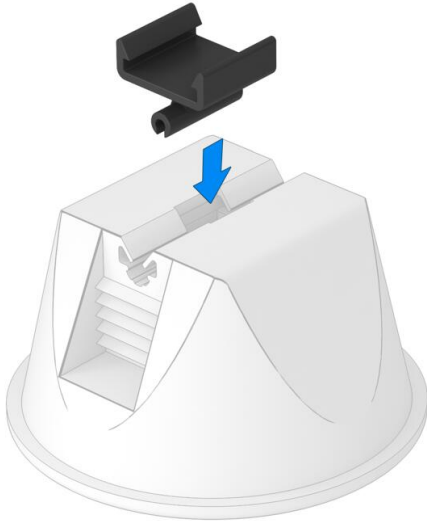


Technical data sheet

Flat conductor adapter for roof conductor holder, type 165/MBG

Item number: 5218885



- Flat conductor holder FL 30 x 3.5 mm
- For fastening to 165/MBG in fit Rd 8

PP Polypropylene

Master data

| | |
|------------------------------------|-------------------------------|
| Item number | 5218885 |
| Type | 165 MBG HFL |
| Description 1 | Adapter for roof cable holder |
| Description 2 | for flat conductors |
| Manufacturer | OBO |
| Dimension | 30x3,5 |
| Colour | Black |
| Material | Polypropylene |
| Smallest sales unit | 12 |
| Unit of quantity | Piece |
| Weight | 0.658 kg |
| Weight unit | kg/100 pc. |
| CO2 Footprint (GWP) Cradle-to-Gate | 0,0295 kg CO2e / 1 Piece |

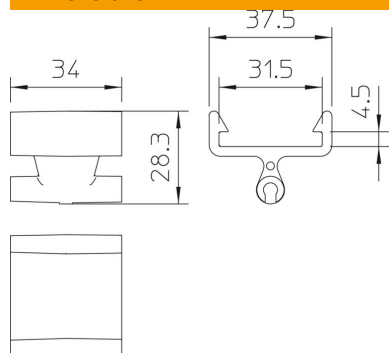
Technical data sheet

Flat conductor adapter for roof conductor holder, type
165/MBG

Item number: 5218885



Dimensions



| | |
|--------|---------|
| Length | 34 mm |
| Width | 37.5 mm |
| Height | 28.3 mm |

Technical data

| | |
|-------------------------|--------------|
| Fit | FL 30x3,5 mm |
| Material of the holder | Plastic |
| Material of the support | Plastic |